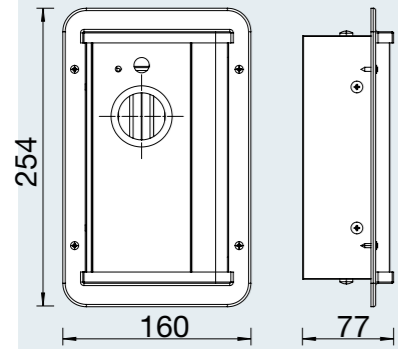
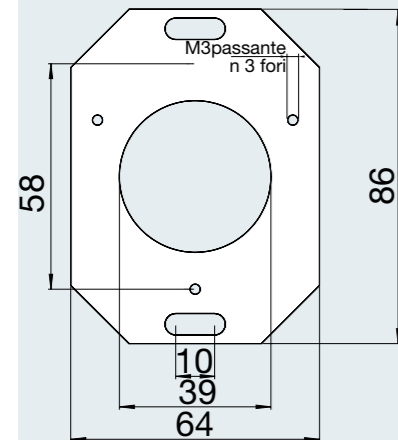


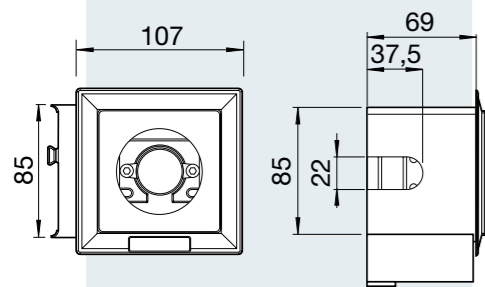
AGSS 1L TYPE ALUMINIUM BOX



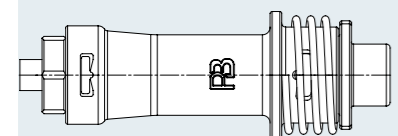
Box for AGSS active outlet		
P/N	DISTINCTIVE COLOUR	RAL
BOX-AGSS	RED	3003
BOX-AGSS/001	VERDE	6019
BOX-AGSS/002	BLUE	5015
BOX-AGSS/003	GREY	7035
BOX-AGSS/004	BEIGE	1013



Back plate for AGSS	
P/N	
VEG120-M3	



Box without lid for AGSS outlets (centralized system)	
P/N	
BOX-GTS	
Suitable to be either flush-mounted or surface-mounted	
Supplied with:	
- service cap;	
- components designed to link the boxes to form a series.	



AGSS indicator	
P/N	
LINDRR4	



EN ISO 91790-2 AGSS PROBES

These are the male non-interchangeable parts to be connected to the outlets.

Materials:
Aluminium series 2000 or 6000 anodized
AISI
PA/POM

60° Barb end type 1L						
P/N	DISTINCTIVE COLOUR	D	ØG	E	γ	
IEGG120-PG22/EN	RED MAGENTA	30	22	63	60°	
IEGP120-PG22/EN	RED MAGENTA	30	22	63	90°	

