



AIR MOTOR ENV 737-6

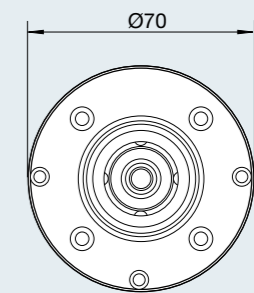
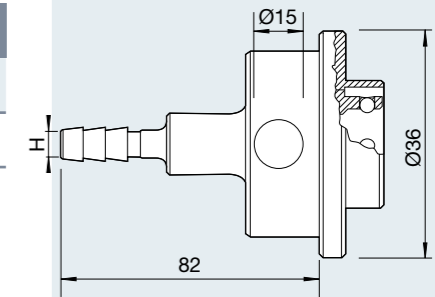
This terminal unit integrates a medical tool drive outlet with a gas scavenging terminal unit.

Materials:

Brass EN 12164 - CuZn39Pb3 nickel plated
Steel
EPDM-PEROX
Anodized Aluminium

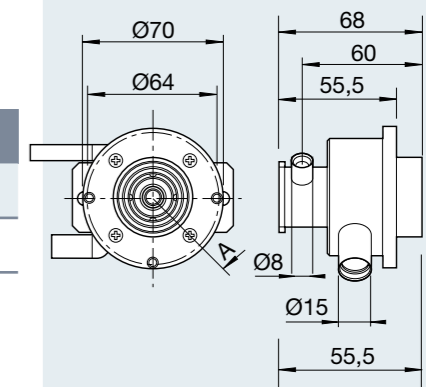
ENV 737-6 outlet for ceiling pendants

P/N	H
VAM737-PG6	9



ENV 737-6 outlet c/w copper pipes

P/N	H
VAM737-TL	9



ENV 737-6 barb end probe

P/N	H
IAM737-PG6	9

