



NEW 2017

SOCKETS UNI 9507

The socket is the female part of the terminal unit connected to the base block by a gas specific interface and which contains the gasspecific connecting point. These sockets have been designed in accordance with the following standards:

UNI 9507;

EN ISO 9170-1 for design and manufacture requirements.

Materials:

Brass EN 12164 - CuZn39Pb3 nickel plated

EPDM-PEROX

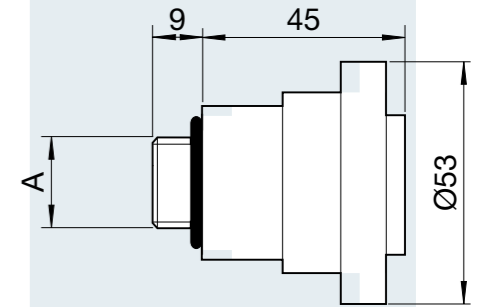
AISI

ABS/POM

New UNI 9507 socket

P/N	A	DISTINCTIVE COLOUR	
VGT60M-O/PB	M22X1,5D	WHITE	OXYGEN
VGT60M-V/PB	M24X1,5D	YELLOW	VACUUM
VGT60M-A4/PB	M20X1,5S	BLACK-WHITE	AIR
VGT45M-P/PB	M16X1,5D	BLUE	NITROUS OXIDE
VGT60M-A8/PB	M18X1,5D	WHITE-BLACK	AIR-800
VGT60M-C/PB	M20X1,5D	GREY	CARBON DIOXIDE

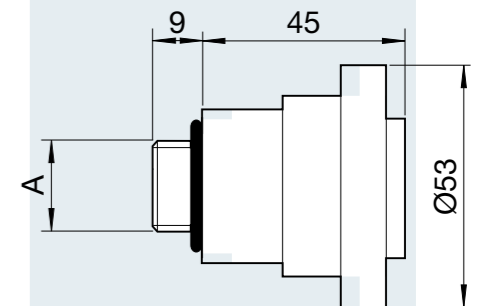
Supplied with sleeve that can be custom made on request.



UNI 9507 socket c/w threaded inlet

P/N	A	DISTINCTIVE COLOUR	GAS
VGTX60-O-M1/4	1/4	WHITE	OXYGEN
VGTX60-O-M3/8	3/8	WHITE	OXYGEN

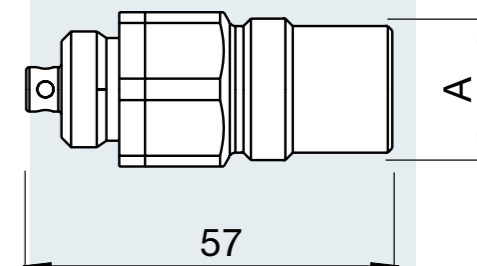
Supplied with sleeve that can be custom made on request.

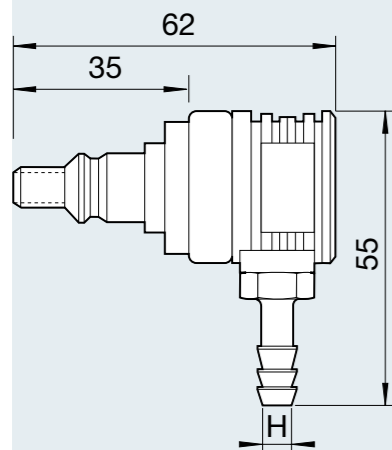


UNI 739 socket c/w threaded inlet

P/N	A	GAS
VGTN-O	M22 X 1.5	OXYGEN
VGTN-C	M22 X 1.5	CARBON DIOXIDE
VGTN-A8	M22 X 1.5	AIR-800
VGTN-A4	M22 X 1.5	AIR

Supplied with sleeve that can be custom made on request.





UNI 9507 PROBES

Elbow barb end probe

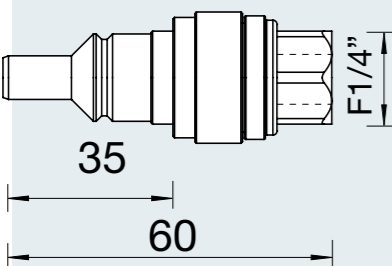
P/N	DISTINCTIVE COLOUR	H	GAS
IGTG60-PG6-O	WHITE	6	OXYGEN
IGTG60-PG8-V	YELLOW	8	VACUUM
IGTG60-PG6-A4	BLACK-WHITE	6	AIR
IGTG45-PG6-P	BLUE	6	NITROUS OXIDE
IGTG60-PG6-A8	WHITE-BLACK	6	AIR-800
IGTG60-PG6-C	GREY	6	CARBON DIOXIDE

Supplied with sleeve that can be custom made on request.

F1/4" probe

P/N	DISTINCTIVE COLOUR	H	GAS
IGT60-F1/4-O	WHITE	1/4"	OXYGEN
IGT60-F1/4-V	YELLOW	1/4"	VACUUM
IGT60-F1/4-A4	BLACK-WHITE	1/4"	AIR
IGT45-F1/4-P	BLUE	1/4"	NITROUS OXIDE
IGT60-F1/4-A8	WHITE-BLACK	1/4"	AIR-800
IGT60-F1/4-C	GREY	1/4"	CARBON DIOXIDE

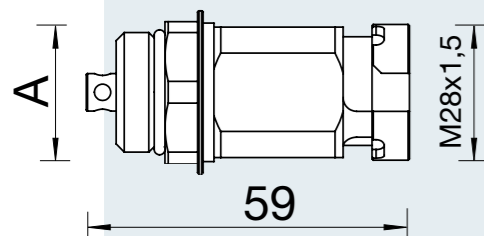
Supplied with sleeve that can be custom made on request.



AFNOR NSF 90-116

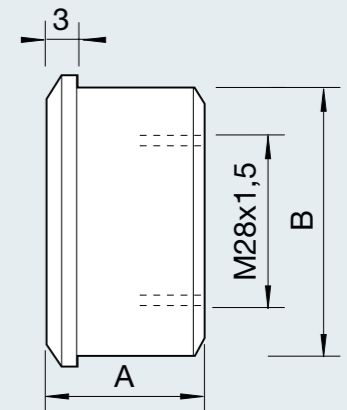
AFNOR NSF 90-116 socket c/w UNI thread inlet

P/N	A	DISTINCTIVE COLOUR	GAS
VGTF-O	M22X1,5D	WHITE	OXYGEN
VGTF-V	M24X1,5D	YELLOW	VACUUM
VGTF-A4	M20X1,5S	BLACK-WHITE	AIR
VGTF-P	M16X1,5D	BLUE	NITROUS OXIDE
VGTF-A8	M18X1,5D	WHITE-BLACK	AIR-800
VGTF-C	M20X1,5D	GREY	CARBON DIOXIDE



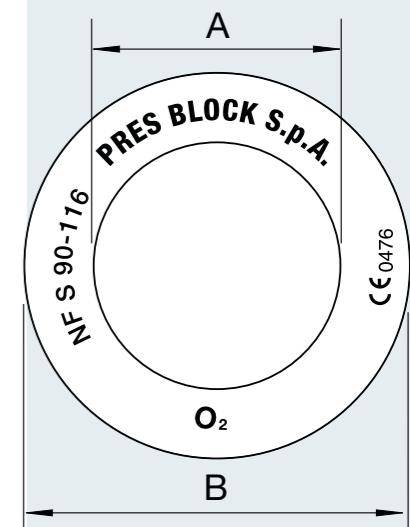
Bulkhead nut

P/N	A	B	COLOURS
PGTF/1	18,7	36,6	GREY



Gas identification ring

P/N	A	B	COLOURS	GAS
ZGTF-O/PB	38	55	WHITE	OXYGEN
ZGTF-V/PB	38	55	YELLOW	VACUUM
ZGTF-A4/PB	38	55	BLACK/WHITE	AIR
ZGTF-P/PB	38	55	BLUE	NITROUS OXIDE
ZGTF-A8/PB	38	55	WHITE/BLACK	AIR-800
ZGTF-C/PB	38	55	GREY	CARBON DIOXIDE
ZGTFD70-O	38	70	WHITE	OXYGEN
ZGTFD70-V	38	70	YELLOW	VACUUM
ZGTFD70-A4	38	70	BLACK/WHITE	AIR
ZGTFD70-P	38	70	BLUE	NITROUS OXIDE
ZGTFD70-A8	38	70	WHITE/BLACK	AIR-800
ZGTFD70-C	38	70	GREY	CARBON DIOXIDE



UNI 9507 AND AFNOR NFS 90-116 BOX

Box

P/N

BOX-GT

Suitable to be either flush-mounted or surface-mounted

Supplied with:

- service cap;
- components designed to link the boxes to form a series.

