

NEW VERSION 2017



## SOCKETS OR RANGE

The socket is the female part of the terminal unit connected to the base block by a gas specific interface and which contains the gasspecific connecting point. These sockets have been designed in accordance with the following standards:

BS 5682:1998, DIN 13260-2, NF S 90-116, FD S 90-119, SS 875 24 30, JIS T 7101, AS 2896 and ENV 737-6 for the dimensions of linking point to the probe;  
EN ISO 9170-1 for design and manufacture requirements.

### Materials:

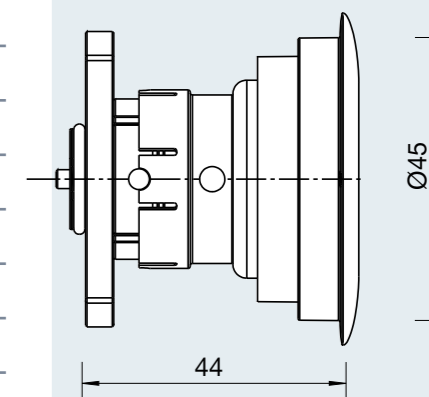
Brass EN 12164 - CuZn39Pb3 nickel plated  
EPDM-PEROX  
AISI  
ABS/POM

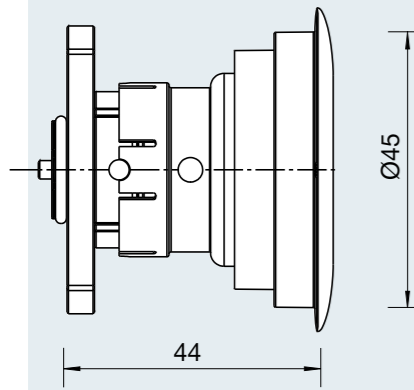
## DIN 13260-2

New DIN 13260-2 socket c/w metal sleeve

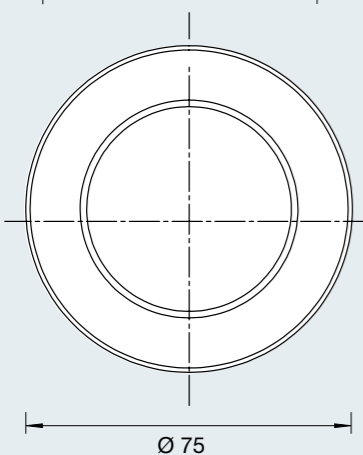
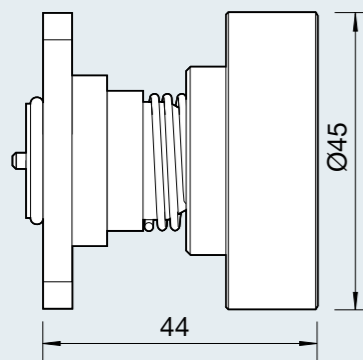
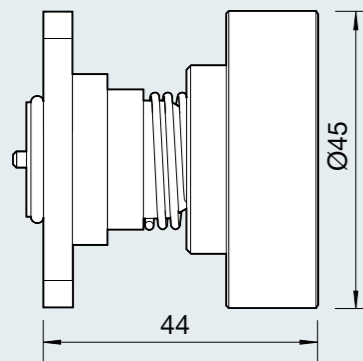
| P/N           | GAS            |
|---------------|----------------|
| VGTD-OR-O/PB  | OXYGEN         |
| VGTD-OR-V/PB  | VACUUM         |
| VGTD-OR-A4/PB | AIR            |
| VGTD-OR-P/PB  | NITROUS OXIDE  |
| VGTD-OR-A8/PB | AIR-800        |
| VGTD-OR-C/PB  | CARBON DIOXIDE |
| VGTD-OR-N/PB  | NITROGEN       |

Supplied with releaser sleeve that can be custom made on request.





STANDARD VERSION



| New Plastic DIN 13260-2 socket full plastic |                |
|---|----------------|
| P/N   | GAS            |
| VGTD-OR-O/PB                                | OXYGEN         |
| VGTD-OR-V/PB                                | VACUUM         |
| VGTD-OR-A4/PB                               | AIR            |
| VGTD-OR-P/PB                                | NITROUS OXIDE  |
| VGTD-OR-A8/PB                               | AIR-800        |
| VGTD-OR-C/PB                                | CARBON DIOXIDE |
| VGTD-OR-N/PB                                | NITROGEN       |

| DIN 13260-2 socket |                |
|--------------------|----------------|
| P/N                | GAS            |
| VGTD-OR-O          | OXYGEN         |
| VGTD-OR-V          | VACUUM         |
| VGTD-OR-A4         | AIR            |
| VGTD-OR-P          | NITROUS OXIDE  |
| VGTD-OR-A8         | AIR-800        |
| VGTD-OR-C          | CARBON DIOXIDE |
| VGTD-OR-N          | NITROGEN       |

| DIN 13260-2 horizontal socket for flow-meter |                |
|--|----------------|
| P/N  | GAS            |
| VGTD-MHO-OR-O                                | OXYGEN         |
| VGTD-MHO-OR-C                                | CARBON DIOXIDE |
| VGTD-MHO-OR-N                                | NITROGEN       |

Supplied with releaser sleeve that can be custom made on request.

| DIN 13260-2 profile cover for pendant and bed head unit / pendant |                |        |
|---|----------------|--------|
| P/N   | GAS            | COLOUR |
| ZGHD75-O  | OXYGEN         | WHITE  |
| ZGHD75-V  | VACUUM         | YELLOW |
| ZGHD75-A4   | AIR            | BLACK  |
| ZGHD75-P  | NITROUS OXIDE  | BLUE   |
| ZGHD75-C  | CARBON DIOXIDE | GREY   |

| DIN 13260-2 profile cover |               |        |
|---------------------------|---------------|--------|
| P/N                       | GAS           | COLOUR |
| PVGT-116                  | OXYGEN        | BLACK  |
| PVGT-116/001              | VACUUM        | WHITE  |
| PVGT-116/002              | AIR           | YELLOW |
| PVGT-116/003              | NITROUS OXIDE | BLUE   |

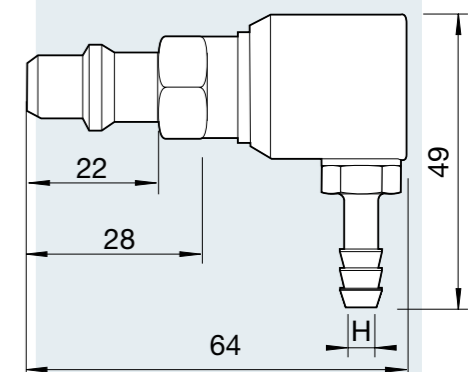
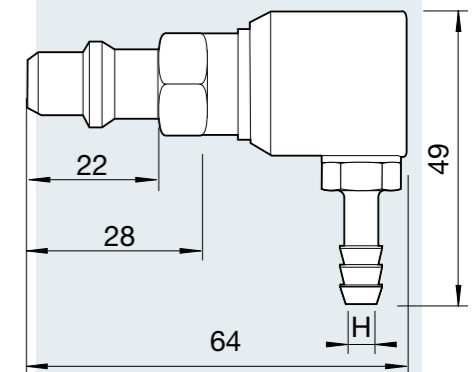
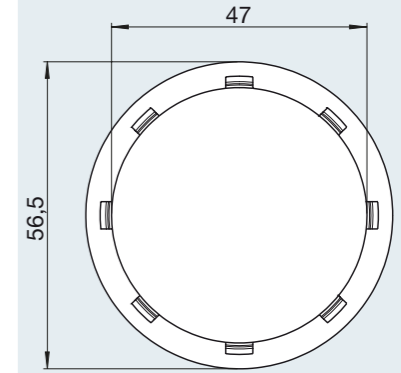
## DIN 13260-2 PROBE

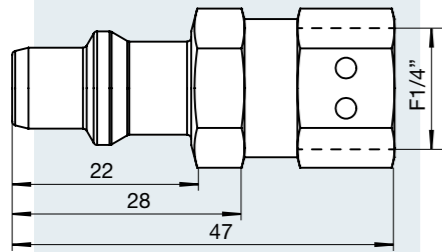
| Elbow barb end probe |                    |   |                |
|----------------------|--------------------|---|----------------|
| P/N                  | DISTINCTIVE COLOUR | H | GAS            |
| IGTGD-PG6-O          | WHITE              | 6 | OXYGEN         |
| IGTGD-PG8-V          | YELLOW             | 8 | VACUUM         |
| IGTGD-PG6-A4         | BLACK-WHITE        | 6 | AIR            |
| IGTGD-PG6-P          | BLUE               | 6 | NITROUS OXIDE  |
| IGTGD-PG6-A8         | BLACK              | 6 | AIR-800        |
| IGTGD-PG6-C          | GREY               | 6 | CARBON DIOXIDE |
| IGTGD-PG6-N          | BLACK              | 6 | NITROGEN       |

Supplied with sticky label that can be custom made on request.

| Elbow barb end probe with check valve |                    |   |                |
|---------------------------------------|--------------------|---|----------------|
| P/N                                   | DISTINCTIVE COLOUR | H | GAS            |
| IIGTGD-PG6-O                          | WHITE              | 6 | OXYGEN         |
| IIGTGD-PG6-A4                         | BLACK-WHITE        | 6 | AIR            |
| IIGTGD-PG6-P                          | BLUE               | 6 | NITROUS OXIDE  |
| IIGTGD-PG6-C                          | GREY               | 6 | CARBON DIOXIDE |

Supplied with sticky label that can be custom made on request.



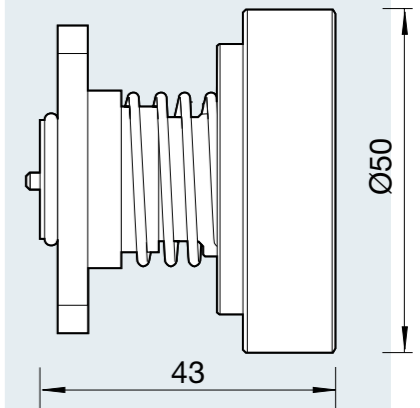


| F1/4" probe  |                    |                |
|--------------|--------------------|----------------|
| P/N          | DISTINCTIVE COLOUR | GAS            |
| IGTD-F1/4-O  | WHITE              | OXYGEN         |
| IGTD-F1/4-V  | YELLOW             | VACUUM         |
| IGTD-F1/4-A4 | BLACK-WHITE        | AIR            |
| IGTD-F1/4-A8 | BLACK              | AIR-800        |
| IGTD-F1/4-P  | BLUE               | NITROUS OXIDE  |
| IGTD-F1/4-C  | GREY               | CARBON DIOXIDE |

Supplied with releaser sleeve that can be custom made on request.

| BS 5682:2015 plastic socket |               |
|-----------------------------|---------------|
| P/N                         | GAS           |
| VGTBSP-OR-O                 | OXYGEN        |
| VGTBSP-OR-V                 | VACUUM        |
| VGTBSP-OR-A4                | AIR           |
| VGTBSP-OR-P                 | NITROUS OXIDE |
| VGTBSP-OR-A8                | AIR-800       |
| VGTBSP-OR-OP                | O2/N2O        |

Supplied with releaser sleeve that can be custom made on request.

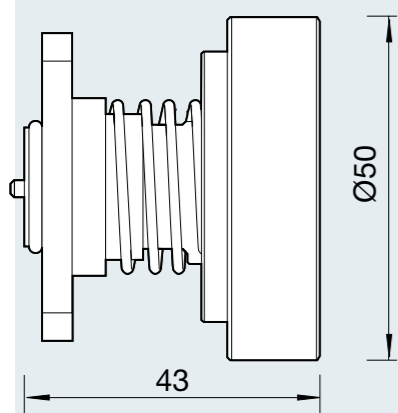
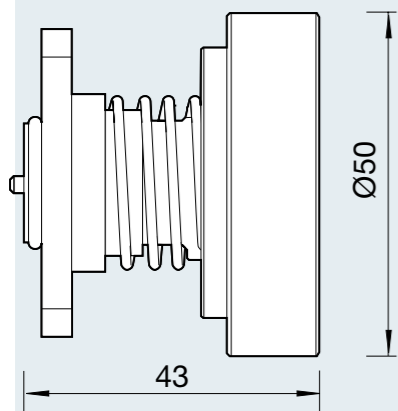
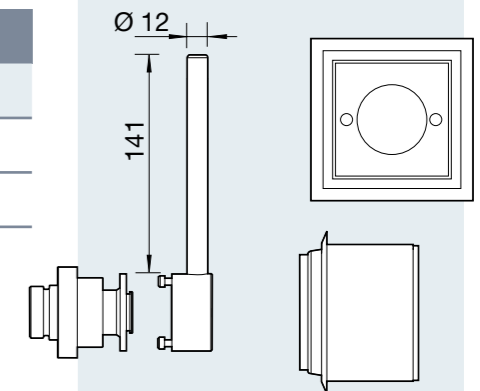


## BS 5682:2015

| BS 5682:2015 socket |               |
|---------------------|---------------|
| P/N                 | GAS           |
| VGTBSM-OR-O         | OXYGEN        |
| VGTBSM-OR-V         | VACUUM        |
| VGTBSM-OR-A4        | AIR           |
| VGTBSM-OR-P         | NITROUS OXIDE |
| VGTBSM-OR-A8        | AIR-800       |
| VGTBSM-OR-OP        | O2/N2O        |

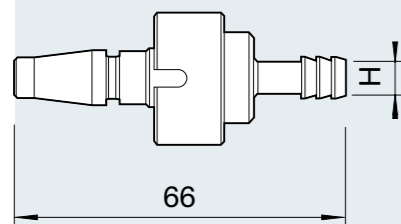
Supplied with releaser sleeve that can be custom made on request.

| AGSS BS 8532:2011 |             |
|-------------------|-------------|
| P/N               |             |
| VEGS-BS           | WITH BOX    |
| VEGS-BS/1         | WITHOUT BOX |



| BS 5682:2015 horizontal socket for flow-meters |               |
|--|---------------|
| P/N  | GAS           |
| VGTBSMHO-OR-O                                  | OXYGEN        |
| VGTBSMHO-OR-V                                  | VACUUM        |
| VGTBSMHO-OR-A4                                 | AIR           |
| VGTBSMHO-OR-P                                  | NITROUS OXIDE |
| VGTBSMHO-OR-A8                                 | AIR-800       |

Supplied with releaser sleeve that can be custom made on request.

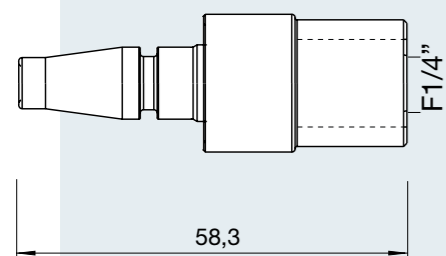


## BS 5682:2015 PROBE

### Straight barb end probe

| P/N          | H   | GAS           |
|--------------|-----|---------------|
| IGTBS-PG6-O  | 6,5 | OXYGEN        |
| IGTBS-PG8-V  | 8   | VACUUM        |
| IGTBS-PG6-A4 | 6,5 | AIR           |
| IGTBS-PG6-P  | 6,5 | NITROUS OXIDE |
| IGTBS-PG6-A8 | 6,5 | AIR-800       |

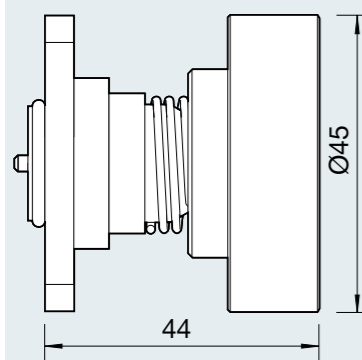
Made of nickel plated brass.



### F1/4" probe

| P/N           | GAS    |
|---------------|--------|
| IGTBS-F1/4-O  | OXYGEN |
| IGTBS-F1/4-V  | VACUUM |
| IGTBS-F1/4-A4 | AIR    |

Made of nickel plated brass.



## SANS 1409:2015

### SANS 1409 socket

| P/N          | GAS                              |
|--------------|----------------------------------|
| VGTSAM-OR-O  | OXYGEN                           |
| VGTSAM-OR-V  | VACUUM                           |
| VGTSAM-OR-A4 | AIR                              |
| VGTSAM-OR-P  | NITROUS OXIDE                    |
| VGTSAM-OR-A8 | AIR-800                          |
| VGTSAM-OR-C  | CARBON DIOXIDE                   |
| VGTSAM-OR-N  | NITROGEN                         |
| VGTSAM-OR-OC | O <sub>2</sub> /CO <sub>2</sub>  |
| VGTSAM-OR-OP | O <sub>2</sub> /N <sub>2</sub> O |

Supplied with releaser sleeve that can be custom made on request.

## AFNOR NF S 90-116 FD S 90-119

### AFNOR socket

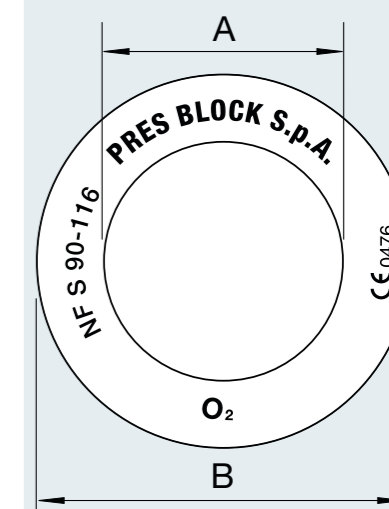
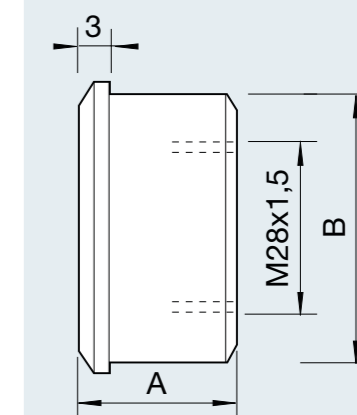
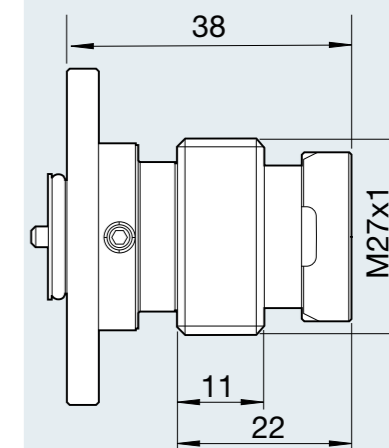
| P/N         | GAS            |
|-------------|----------------|
| VGTFM-OR-O  | OXYGEN         |
| VGTFM-OR-V  | VACUUM         |
| VGTFM-OR-A4 | AIR            |
| VGTFM-OR-P  | NITROUS OXIDE  |
| VGTFM-OR-C  | CARBON DIOXIDE |
| VGTFM-OR-A8 | AIR-800        |

### Bulkhead nut

| P/N    | A    | B    | COLOUR |
|--------|------|------|--------|
| PGTF/1 | 18,7 | 36,6 | GREY   |

### Gas identification ring

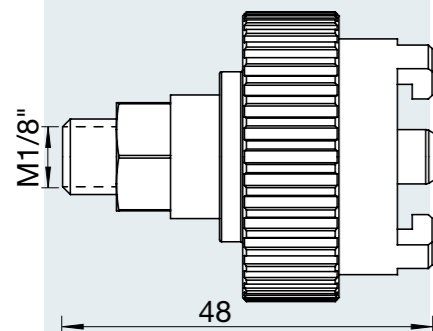
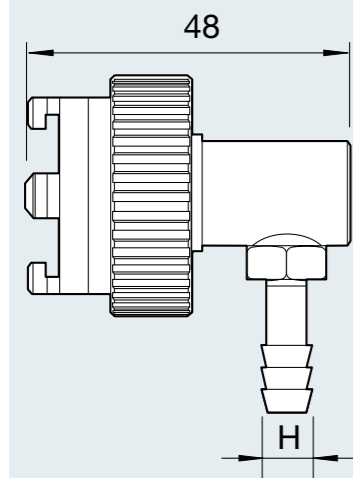
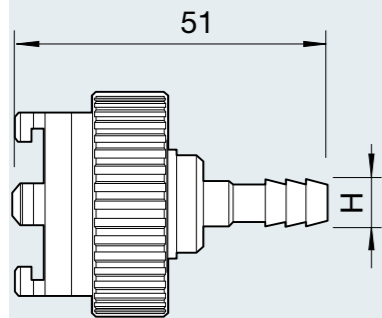
| P/N        | A  | B  | COLOUR      | GAS            |
|------------|----|----|-------------|----------------|
| ZGTF-O/PB  | 38 | 55 | WHITE       | OXYGEN         |
| ZGTF-V/PB  | 38 | 55 | YELLOW      | VACUUM         |
| ZGTF-A4/PB | 38 | 55 | BLACK/WHITE | AIR            |
| ZGTF-P/PB  | 38 | 55 | BLUE        | NITROUS OXIDE  |
| ZGTF-A8/PB | 38 | 55 | WHITE/BLACK | AIR-800        |
| ZGTF-C/PB  | 38 | 55 | GREY        | CARBON DIOXIDE |
| ZGTFD70-O  | 38 | 70 | WHITE       | OXYGEN         |
| ZGTFD70-V  | 38 | 70 | YELLOW      | VACUUM         |
| ZGTFD70-A4 | 38 | 70 | BLACK/WHITE | AIR            |
| ZGTFD70-P  | 38 | 70 | BLUE        | NITROUS OXIDE  |
| ZGTFD70-A8 | 38 | 70 | WHITE/BLACK | AIR-800        |
| ZGTFD70-C  | 38 | 70 | GREY        | CARBON DIOXIDE |







# NF S 90-116 AND FD S 90-119 PROBE



## Straight barb end probe

| P/N         | DISTINCTIVE COLOUR | H | GAS            |
|-------------|--------------------|---|----------------|
| IGTF-PG6-O  | WHITE              | 6 | OXYGEN         |
| IGTF-PG8-V  | YELLOW             | 8 | VACUUM         |
| IGTF-PG6-A4 | BLACK-WHITE        | 6 | AIR            |
| IGTF-PG6-P  | BLUE               | 6 | NITROUS OXIDE  |
| IGTF-PG6-A8 | WHITE-BLACK        | 6 | AIR-800        |
| IGTF-PG6-C  | GREY               | 6 | CARBON DIOXIDE |

Supplied with sleeve that can be custom made on request.

## Elbow barb end probe

| P/N          | DISTINCTIVE COLOUR | H | GAS            |
|--------------|--------------------|---|----------------|
| IGTGF-PG6-O  | WHITE              | 6 | OXYGEN         |
| IGTGF-PG8-V  | YELLOW             | 8 | VACUUM         |
| IGTGF-PG6-A4 | BLACK-WHITE        | 6 | AIR            |
| IGTGF-PG6-P  | BLUE               | 6 | NITROUS OXIDE  |
| IGTGF-PG6-A8 | WHITE-BLACK        | 6 | AIR-800        |
| IGTGF-PG6-C  | GREY               | 6 | CARBON DIOXIDE |

Supplied with sleeve that can be custom made on request.

## M1/8" probe

| P/N          | DISTINCTIVE COLOUR | H | GAS           |
|--------------|--------------------|---|---------------|
| IGTF-M1/8-O  | WHITE              | 6 | OXYGEN        |
| IGTF-M1/8-V  | YELLOW             | 8 | VACUUM        |
| IGTF-M1/8-A4 | BLACK-WHITE        | 6 | AIR           |
| IGTF-M1/8-P  | BLUE               | 6 | NITROUS OXIDE |
| IGTF-M1/8-A8 | WHITE-BLACK        | 6 | AIR-800       |

Supplied with sleeve that can be custom made on request.

## F1/4" probe

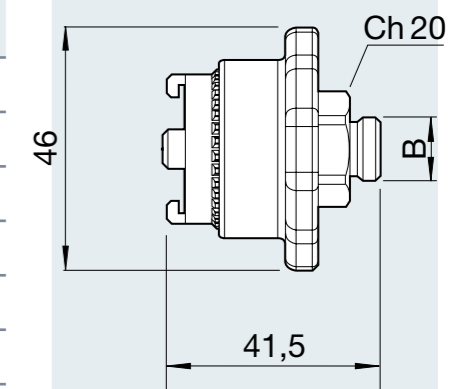
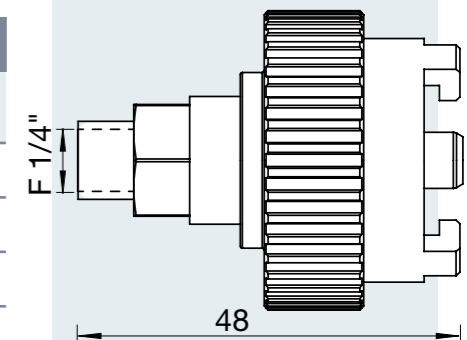
| P/N          | DISTINCTIVE COLOUR | H | GAS            |
|--------------|--------------------|---|----------------|
| IGTF-F1/4-O  | WHITE              | 6 | OXYGEN         |
| IGTF-F1/4-V  | YELLOW             | 8 | VACUUM         |
| IGTF-F1/4-A4 | BLACK-WHITE        | 6 | AIR            |
| IGTF-F1/4-P  | BLUE               | 6 | NITROUS OXIDE  |
| IGTF-F1/4-A8 | WHITE-BLACK        | 6 | AIR-800        |
| IGTF-F1/4-C  | GREY               | 6 | CARBON DIOXIDE |

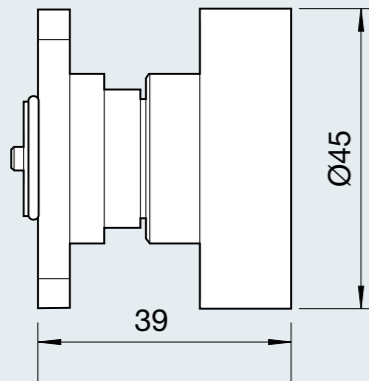
Supplied with sleeve that can be custom made on request.

## Straight swivel male threaded probe

| P/N             | B     | DISTINCTIVE COLOUR | GAS            |
|-----------------|-------|--------------------|----------------|
| IGTF-OR-M12-O   | M12X1 | WHITE              | OXYGEN         |
| IGTF-OR-M12-V   | M12X1 | YELLOW             | VACUUM         |
| IGTF-OR-M12-A4  | M12X1 | WHITE-BLACK        | AIR            |
| IGTF-OR-M12-P   | M12X1 | BLUE               | NITROUS OXIDE  |
| IGTF-OR-M12-C   | M12X1 | GREY               | CARBON DIOXIDE |
| IGTF-OR-M1/8-O  | 1/8"  | WHITE              | OXYGEN         |
| IGTF-OR-M1/8-V  | 1/8"  | YELLOW             | VACUUM         |
| IGTF-OR-M1/8-A4 | 1/8"  | WHITE-BLACK        | AIR            |
| IGTF-OR-M1/4-O  | 1/4"  | WHITE              | OXYGEN         |
| IGTF-OR-M1/4-V  | 1/4"  | YELLOW             | VACUUM         |

Supplied with sleeve that can be custom made on request.





## SS 875 24 30

SS 875 24 30 socket

| P/N          | GAS            |
|--------------|----------------|
| VG TAM-OR-O  | OXYGEN         |
| VG TAM-OR-V  | VACUUM         |
| VG TAM-OR-A4 | AIR            |
| VG TAM-OR-P  | NITROUS OXIDE  |
| VG TAM-OR-A8 | AIR-800        |
| VG TAM-OR-C  | CARBON DIOXIDE |

Supplied with releaser sleeve that can be custom made on request.

SS 875 24 30 horizontal socket for flow meter

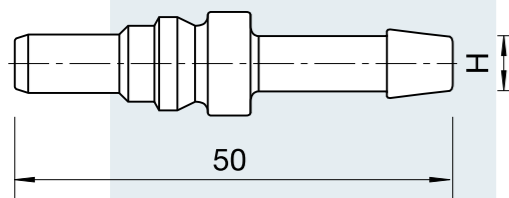
| P/N            | GAS            |
|----------------|----------------|
| VG TAMHO-OR-O  | OXYGEN         |
| VG TAMHO-OR-V  | VACUUM         |
| VG TAMHO-OR-A4 | AIR            |
| VG TAMHO-OR-P  | NITROUS OXIDE  |
| VG TAMHO-OR-C  | CARBON DIOXIDE |
| VG TAMHO-OR-A8 | AIR-800        |

Supplied with releaser sleeve that can be custom made on request.

## SS 875 24 30 PROBE

Straight barb end probe

| P/N         | H  | GAS            |
|-------------|----|----------------|
| IGTA-PG6-O  | 6  | OXYGEN         |
| IGTA-PG10-V | 10 | VACUUM         |
| IGTA-PG8-A4 | 8  | AIR            |
| IGTA-PG6-P  | 6  | NITROUS OXIDE  |
| IGTA-PG8-A8 | 8  | AIR-800        |
| IGTA-PG6-C  | 6  | CARBON DIOXIDE |



## ENV 737-6

ENV 737-6 socket

| P/N          | GAS            |
|--------------|----------------|
| VG TEM-OR-O  | OXYGEN         |
| VG TEM-OR-V  | VACUUM         |
| VG TEM-OR-A4 | AIR            |
| VG TEM-OR-P  | NITROUS OXIDE  |
| VG TEM-OR-C  | CARBON DIOXIDE |
| VG TEM-OR-A8 | AIR-800        |

Supplied with releaser sleeve that can be custom made on request.

## ENV 737-6 PROBE

Elbow barb end probe

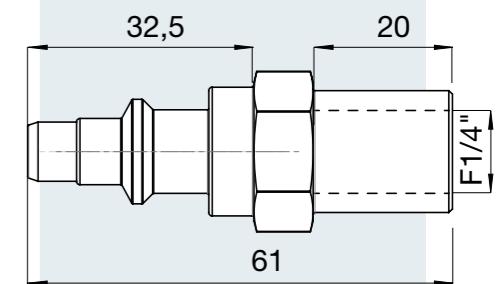
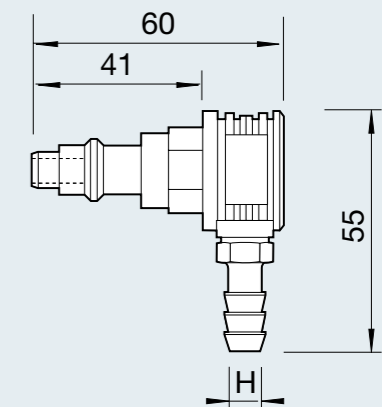
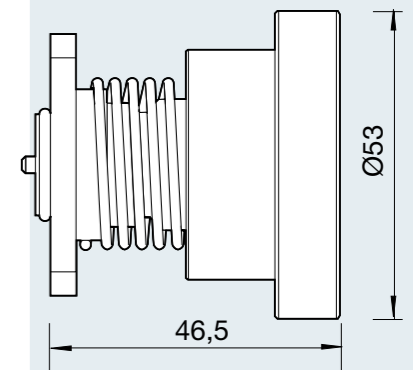
| P/N          | DISTINCTIVE COLOUR | H | GAS            |
|--------------|--------------------|---|----------------|
| IGTGE-PG6-O  | WHITE              | 6 | OXYGEN         |
| IGTGE-PG8-V  | YELLOW             | 8 | VACUUM         |
| IGTGE-PG6-A4 | BLACK-WHITE        | 6 | AIR            |
| IGTGE-PG6-P  | BLUE               | 6 | NITROUS OXIDE  |
| IGTGE-PG6-A8 | WHITE-BLACK        | 6 | AIR-800        |
| IGTGE-PG6-C  | GREY               | 6 | CARBON DIOXIDE |

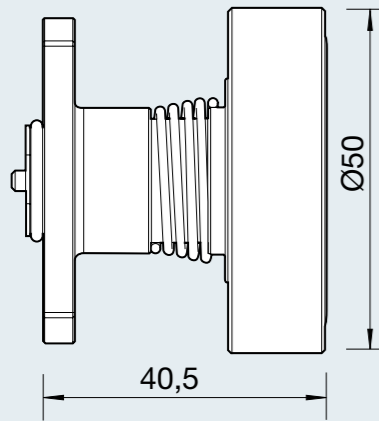
Supplied with sleeve that can be custom made on request.

F1/4" probe

| P/N          | DISTINCTIVE COLOUR | GAS            |
|--------------|--------------------|----------------|
| IGTE-F1/4-O  | WHITE              | OXYGEN         |
| IGTE-F1/4-V  | YELLOW             | VACUUM         |
| IGTE-F1/4-A4 | BLACK-WHITE        | AIR            |
| IGTE-F1/4-P  | BLUE               | NITROUS OXIDE  |
| IGTE-F1/4-A8 | WHITE-BLACK        | AIR-800        |
| IGTE-F1/4-C  | GREY               | CARBON DIOXIDE |

Supplied with sleeve that can be custom made on request.





## JIS T 70101

### JIS T 7101 socket

| P/N          | GAS           |
|--------------|---------------|
| VGTJSM-OR-O  | OXYGEN        |
| VGTJSM-OR-V  | VACUUM        |
| VGTJSM-OR-A4 | AIR           |
| VGTJSM-OR-P  | NITROUS OXIDE |

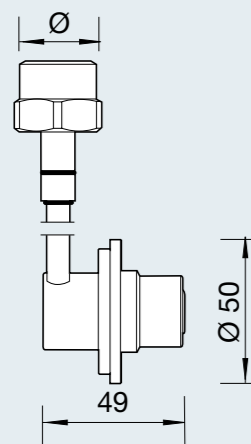
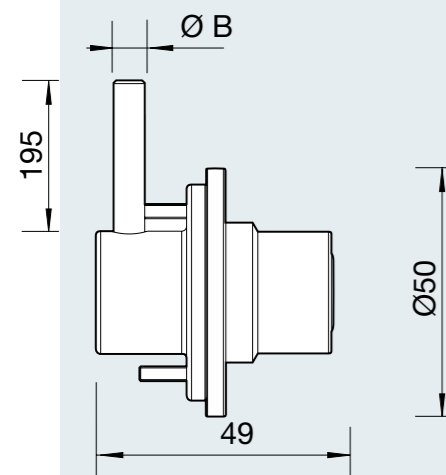
## AS 2896

### AS 2896 outlet

| P/N      | Ø B   | GAS            |
|----------|-------|----------------|
| VGTAS-O  | 1/4"  | OXYGEN         |
| VGTAS-V  | 5/16" | VACUUM         |
| VGTAS-A4 | 1/4"  | AIR            |
| VGTAS-P  | 1/4"  | NITROUS OXIDE  |
| VGTAS-A8 | 1/4"  | AIR-800        |
| VGTAS-C  | 1/4"  | CARBON DIOXIDE |
| VGTAS-N  | 1/4"  | NITROGEN       |

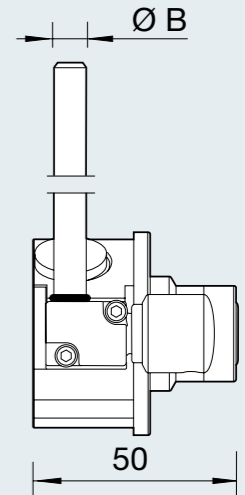
### AS 2896 outlet c/w NIST connector

| P/N            | Ø FEMMINA | GAS            |
|----------------|-----------|----------------|
| VGTAS-O-MNIST  | M22X1,5   | OXYGEN         |
| VGTAS-V-MNIST  | M22X1,5   | VACUUM         |
| VGTAS-A4-MNIST | M22X1,5   | AIR            |
| VGTAS-P-MNIST  | M22X1,5   | NITROUS OXIDE  |
| VGTAS-A8-MNIST | M22X1,5   | AIR-800        |
| VGTAS-C-MNIST  | M22X1,5   | CARBON DIOXIDE |
| VGTAS-N-MNIST  | M22X1,5   | NITROGEN       |



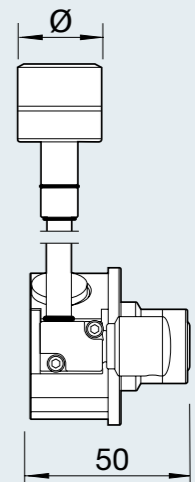
### AS 2896 Anaesthetic Gas Scavenge

| P/N     | Ø B |
|---------|-----|
| VEGS-AS | 8   |



### AS 2896 Anaesthetic Gas Scavenge c/w NIST connector

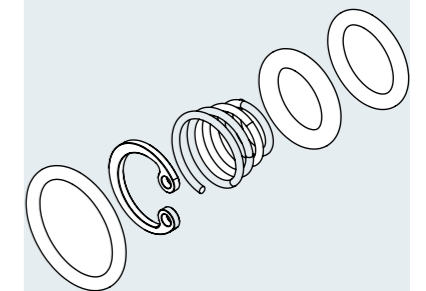
| P/N           | Ø FEMMINA |
|---------------|-----------|
| VEGS-AS-MNIST | M22X1,5   |



## SPARE PART

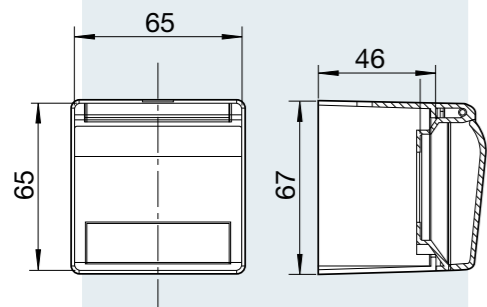
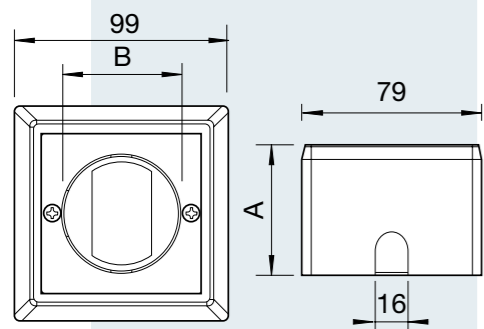
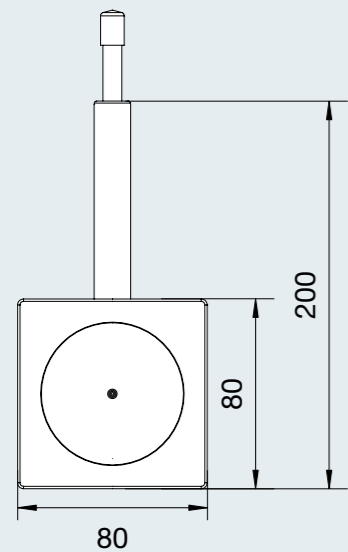
### Spare part kif for socket OR series

| P/N           | STANDARD | GAS  |
|---------------|----------|--|
| VGTD-OR-RIC   | DIN      | OXYGEN, AIR, NITROUS OXIDE, CARBON DIOXIDE |
| VGTD-OR-V-RIC | DIN      | VACUUM                                     |
| VGTBS-OR-RIC  | BS       | ALL  |
| VGTA-OR-RIC   | SS       | ALL  |





# PLASTIC BOXES OR RANGE



Plastic box for German normative c/w base block 8mm copper pipe

| P/N           | A  | B   | PROFILE       |
|---------------|----|-----|---------------|
| ZBOX-GT-RG-O  | 80 | 220 | OXYGEN        |
| ZBOX-GT-RG-V  | 80 | 220 | VACUUM        |
| ZBOX-GT-RG-A4 | 80 | 220 | AIR           |
| ZBOX-GT-RG-P  | 80 | 220 | NITROUS OXIDE |
| ZBOX-GT-RG-C  | 80 | 220 | AIR-800       |
| ZBOX-GT-RG-A8 | 80 | 220 | NITROGEN      |

Box without lid for copper pipe base block

| P/N           | A    | B    | PROFILE                                   |
|---------------|------|------|---|
| ZBOX-GT-OR    | 56,8 | 46,2 | suitable for DIN 13260-2 and SS 875 24 30 |
| ZBOX-GT-OR/01 | 56,8 | 52,5 | suitable for BS 5682:2015 and JIS T 7101  |
| ZBOX-GT-OR/02 | 58,8 | 55   | suitable for ENV 737-6                    |

Suitable to be either flush-mounted or wall-mounted.

Box c/w lid for AFNOR outlet

| P/N       | A | B                       |
|-----------|---|-------------------------|
| ZBOXGTF   |   | C/W LOCKING NUT         |
| ZBOXGTF/1 |   | WITHOUT C/W LOCKING NUT |

Lid for BHU Afnor outlet

| P/N      | A | B                       |
|----------|---|-------------------------|
| BOXGTF   |   | C/W LOCKING NUT         |
| BOXGTF-1 |   | WITHOUT C/W LOCKING NUT |

Gas identification label for AFNOR LID

| P/N       | GAS            |
|-----------|----------------|
| BOXGTF/O  | OXYGEN         |
| BOXGTF/V  | VACUUM         |
| BOXGTF/A4 | AIR            |
| BOXGTF/P  | NITROUS OXIDE  |
| BOXGTF/A8 | AIR-800        |
| BOXGTF/C  | CARBON DIOXIDE |
| BOXGTF/N  | NITROGEN       |

Locking nut for AL socket

| P/N         | A  | B    |
|-------------|----|------|
| VGTF-O-4/TM | 36 | 31,4 |

