

EN ISO 9170-2 AGSS SOCKETS

These are the female parts of a terminal unit attached to the base block by a gas-specific interface which contain the gas-specific connection point.

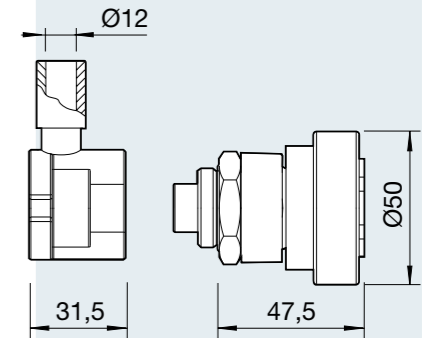
Materials:

Brass EN 12164 - CuZn39Pb3
Aluminium series 2000 or 6000
Steel
EPDM-PEROX
AISI
PA/POM

AGSS type 1L outlet for centralized system

P/N	DISTINCTIVE COLOUR
VEGS120/EN1	RED MAGENTA

Supplied with metal sleeve that can be custom made on request.

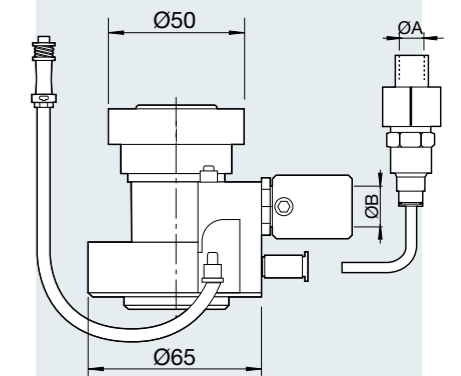


AGSS type 1L active

P/N	DISTINCTIVE COLOUR	ØA	ØB
VEGA120/EN1	RED MAGENTA	10 (SUPPLY)	16 (EVACUATION)

Supplied with:

- adjusting screw for setting following the standard EN ISO 7396-2
- green suction indicator.
- sleeve that can be custom made on request.
- manifold for connecting the exhaust copper pipe.

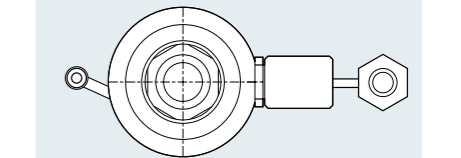
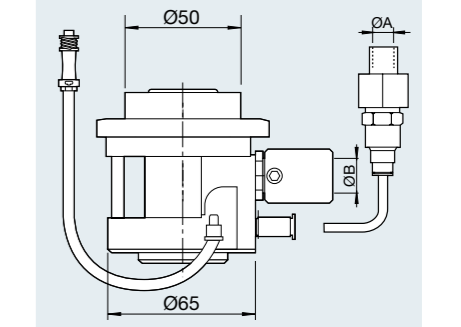


AGSS type 1L active c/w bulkhead plate

P/N	DISTINCTIVE COLOUR	ØA	ØB
VEGA120/EN2	RED MAGENTA	10 (SUPPLY)	16 (EVACUATION)

Supplied with:

- adjusting screw for setting following the standard EN ISO 7396-2
- green suction indicator.
- sleeve that can be custom made on request.
- manifold for connecting the exhaust copper pipe.

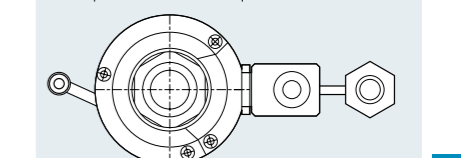
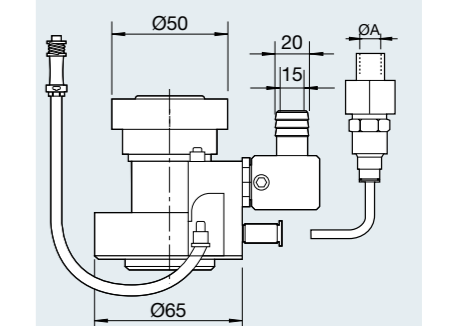


AGSS type 1L active for ceiling pendants

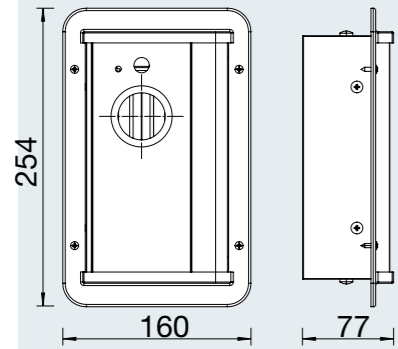
P/N	DISTINCTIVE COLOUR	ØA
VEGA120/EN3	RED MAGENTA	10 (SUPPLY)

Supplied with:

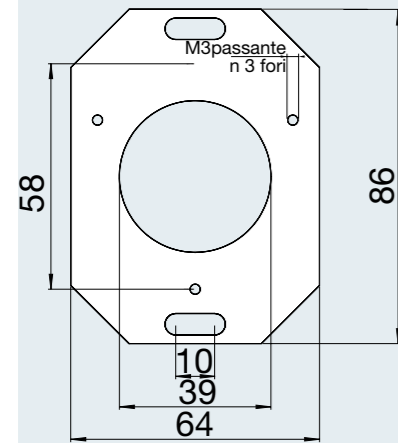
- adjusting screw for setting following the standard EN ISO 7396-2.
- green suction indicator.
- sleeve that can be custom made on request.
- adapter for connecting the exhaust copper pipe or flexible hose.



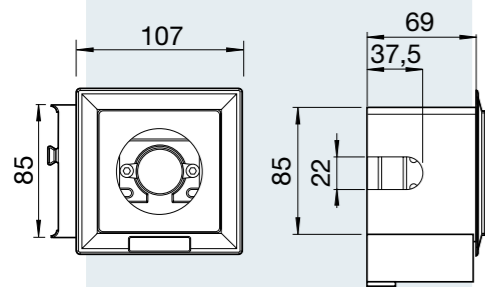
AGSS 1L TYPE ALUMINIUM BOX



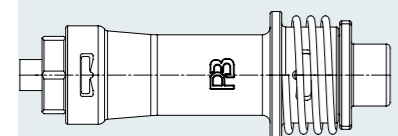
Box for AGSS active outlet		
P/N	DISTINCTIVE COLOUR	RAL
BOX-AGSS	RED	3003
BOX-AGSS/001	VERDE	6019
BOX-AGSS/002	BLUE	5015
BOX-AGSS/003	GREY	7035
BOX-AGSS/004	BEIGE	1013



Back plate for AGSS	
P/N	
VEG120-M3	



Box without lid for AGSS outlets (centralized system)	
P/N	
BOX-GTS	
Suitable to be either flush-mounted or surface-mounted	
Supplied with:	
- service cap;	
- components designed to link the boxes to form a series.	



AGSS indicator	
P/N	
LINDRR4	



EN ISO 91790-2 AGSS PROBES

These are the male non-interchangeable parts to be connected to the outlets.

Materials:
Aluminium series 2000 or 6000 anodized
AISI
PA/POM

60° Barb end type 1L						
P/N	DISTINCTIVE COLOUR	D	ØG	E	γ	
IEGG120-PG22/EN	RED MAGENTA	30	22	63	60°	
IEGP120-PG22/EN	RED MAGENTA	30	22	63	90°	

