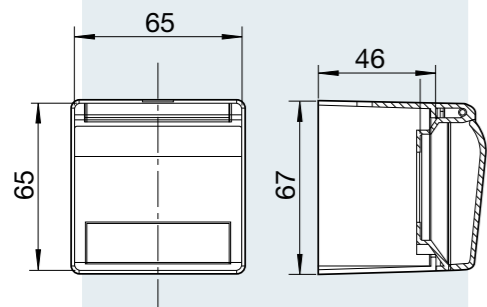
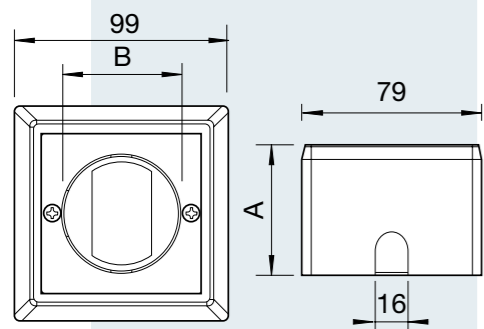
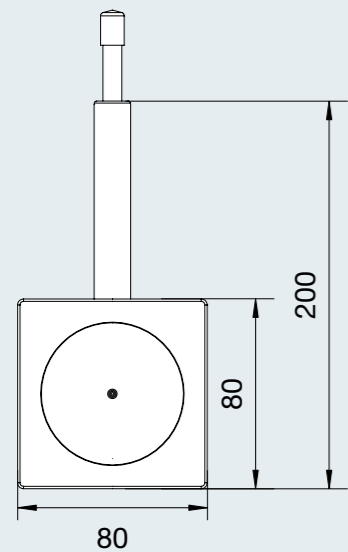


PLASTIC BOXES OR RANGE



Plastic box for German normative c/w base block 8mm copper pipe

P/N	A	B	PROFILE
ZBOX-GT-RG-O	80	220	OXYGEN
ZBOX-GT-RG-V	80	220	VACUUM
ZBOX-GT-RG-A4	80	220	AIR
ZBOX-GT-RG-P	80	220	NITROUS OXIDE
ZBOX-GT-RG-C	80	220	AIR-800
ZBOX-GT-RG-A8	80	220	NITROGEN

Box without lid for copper pipe base block

P/N	A	B	PROFILE
ZBOX-GT-OR	56,8	46,2	suitable for DIN 13260-2 and SS 875 24 30
ZBOX-GT-OR/01	56,8	52,5	suitable for BS 5682:2015 and JIS T 7101
ZBOX-GT-OR/02	58,8	55	suitable for ENV 737-6

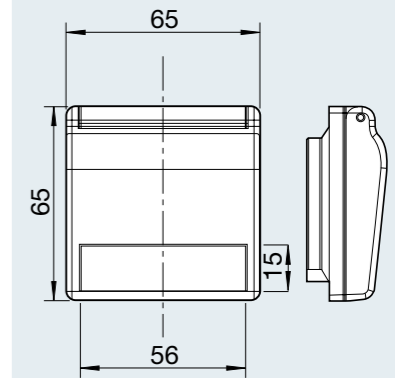
Suitable to be either flush-mounted or wall-mounted.

Box c/w lid for AFNOR outlet

P/N	A	B
ZBOXGTF		C/W LOCKING NUT
ZBOXGTF/1		WITHOUT C/W LOCKING NUT

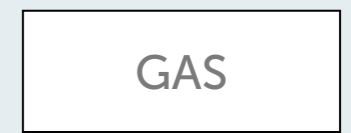
Lid for BHU Afnor outlet

P/N	A	B
BOXGTF		C/W LOCKING NUT
BOXGTF-1		WITHOUT C/W LOCKING NUT



Gas identification label for AFNOR LID

P/N	GAS
BOXGTF/O	OXYGEN
BOXGTF/V	VACUUM
BOXGTF/A4	AIR
BOXGTF/P	NITROUS OXIDE
BOXGTF/A8	AIR-800
BOXGTF/C	CARBON DIOXIDE
BOXGTF/N	NITROGEN



Locking nut for AL socket

P/N	A	B
VGTF-O-4/TM	36	31,4

