



BASE BLOCK OR RANGE

This component is the part of the terminal unit connected to the medical gas pipeline distribution system (suction in case of vacuum). The base blocks are designed complying with the standard EN ISO 9170-1 for design and manufacture requirements. All base blocks, except those for vacuum, are supplied with a maintenance valve to be fitted after the plumbing is completed.

Brass/zamac base block c/w vertical copper pipe

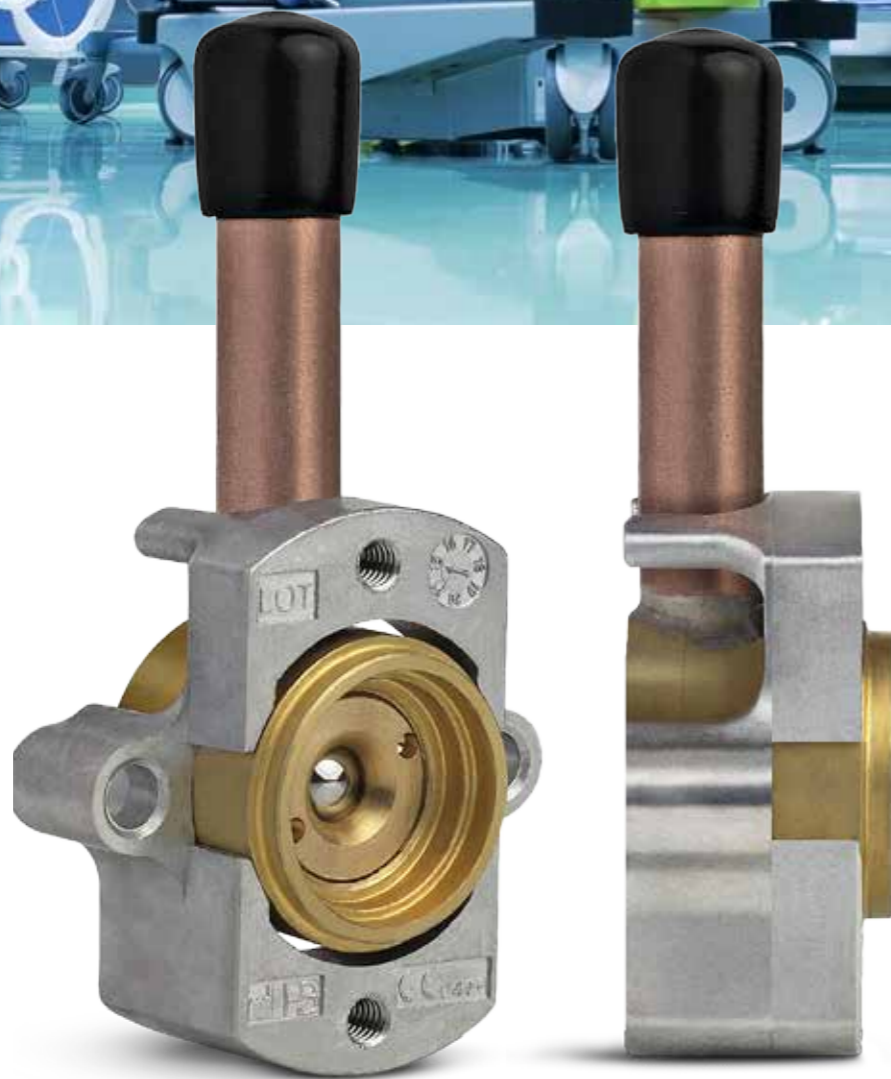
P/N	A	Ø B	GAS
ZARMOR08-T-OZ	36	8	OXYGEN
ZARMOR08-T-VZ	36	8	VACUUM
ZARMOR08-T-A4Z	36	8	AIR
ZARMOR08-T-PZ	36	8	NITROUS OXIDE
ZARMOR08-T-A8Z	36	8	AIR-800
ZARMOR08-T-CZ	36	8	CARBON DIOXIDE
ZARMOR08-T-NZ	36	8	NITROGEN

C/w plug for test.

Brass/zamac base block c/w vertical copper pipe

P/N	A	Ø B	GAS
ZARMOR10-T-OZ	36	10	OXYGEN
ZARMOR10-T-VZ	36	10	VACUUM
ZARMOR10-T-A4Z	36	10	AIR
ZARMOR10-T-PZ	36	10	NITROUS OXIDE
ZARMOR10-T-A8Z	36	10	AIR-800
ZARMOR10-T-CZ	36	10	CARBON DIOXIDE
ZARMOR10-T-NZ	36	10	NITROGEN

C/w plug for test.



NEW VERSION 2017

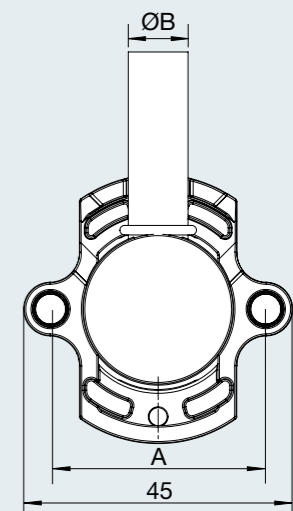
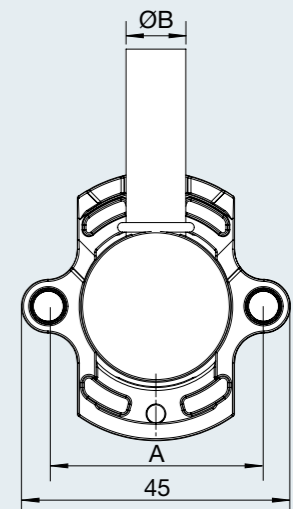
Materials:

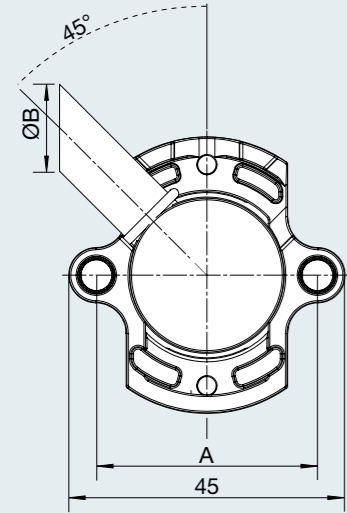
Brass EN 12164 - CuZn39Pb3

ZAMAC

EPDM

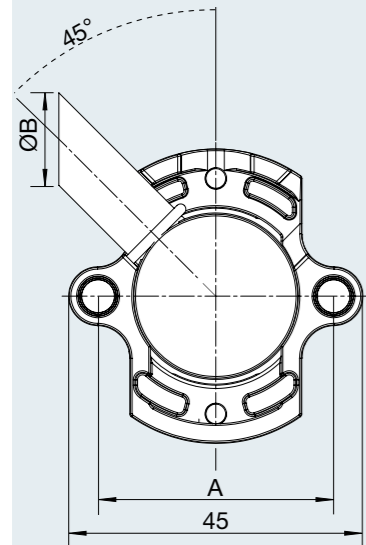
AISI





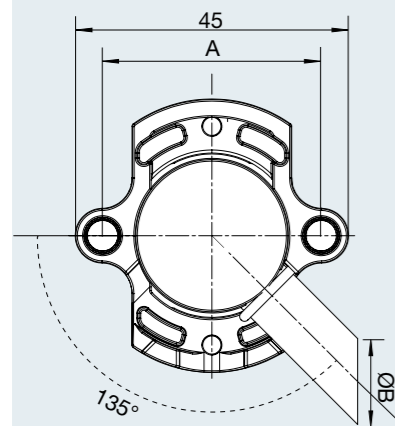
Brass/zamac base block c/w 45° copper pipe			
P/N	A	Ø B	GAS
ZARMOR08-45T-OZ	36	8	OXYGEN
ZARMOR08-45T-VZ	36	8	VACUUM
ZARMOR08-45T-A4Z	36	8	AIR
ZARMOR08-45T-PZ	36	8	NITROUS OXIDE
ZARMOR08-45T-A8Z	36	8	AIR-800
ZARMOR08-45T-CZ	36	8	CARBON DIOXIDE
ZARMOR08-45T-NZ	36	8	NITROGEN

C/w plug for test.



Brass/zamac base block c/w 45° copper pipe			
P/N	A	Ø B	GAS
ZARMOR10-45T-OZ	36	10	OXYGEN
ZARMOR10-45T-VZ	36	10	VACUUM
ZARMOR10-45T-A4Z	36	10	AIR
ZARMOR10-45T-PZ	36	10	NITROUS OXIDE
ZARMOR10-45T-A8Z	36	10	AIR-800
ZARMOR10-45T-CZ	36	10	CARBON DIOXIDE
ZARMOR10-45T-NZ	36	10	NITROGEN

C/w plug for test.



Brass/zamac base block c/w 135° copper pipe			
P/N	A	Ø B	GAS
ZARMOR08-135T-OZ	36	8	OXYGEN
ZARMOR08-135T-VZ	36	8	VACUUM
ZARMOR08-135T-A4Z	36	8	AIR
ZARMOR08-135T-PZ	36	8	NITROUS OXIDE
ZARMOR08-135T-A8Z	36	8	AIR-800
ZARMOR08-135T-CZ	36	8	CARBON DIOXIDE
ZARMOR08-135T-NZ	36	8	NITROGEN

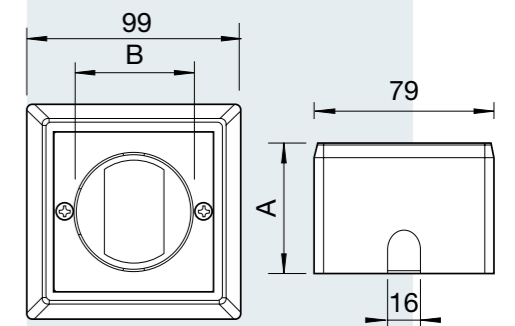
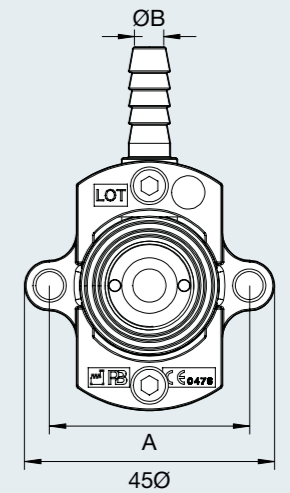
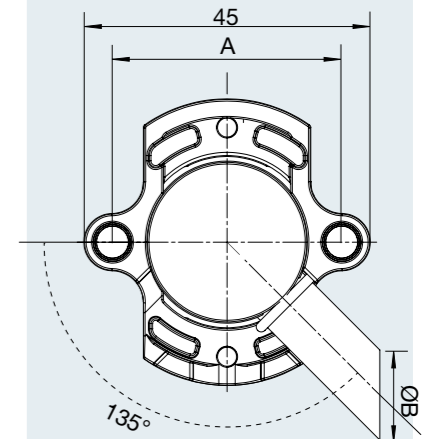
C/w plug for test.

Brass/zamac base block c/w 135° copper pipe			
P/N	A	Ø B	GAS
ZARMOR10-135T-OZ	36	10	OXYGEN
ZARMOR10-135T-VZ	36	10	VACUUM
ZARMOR10-135T-A4Z	36	10	AIR
ZARMOR10-135T-PZ	36	10	NITROUS OXIDE
ZARMOR10-135T-A8Z	36	10	AIR-800
ZARMOR10-135T-CZ	36	10	CARBON DIOXIDE
ZARMOR10-135T-NZ	36	10	NITROGEN

C/w plug for test.

Brass/zamac base block c/w barb end inlet			
CODICE	A	Ø B	GAS
ZARMORZ-PG6-O	36	6	OXYGEN
ZARMORZ-PG8-V	36	8	VACUUM
ZARMORZ-PG6-A4	36	6	AIR
ZARMORZ-PG6-P	36	6	NITROUS OXIDE
ZARMORZ-PG6-C	36	6	CARBON DIOXIDE
ZARMORZ-PG6-A8	36	6	AIR-800

Box without lid for brass/zamac base block		
P/N	Ø	PER
ZBOX-GT-OR / 0A	55	BS, ENV, JIS
ZBOX-GT-OR / 0A / 1	46	DIN, SS



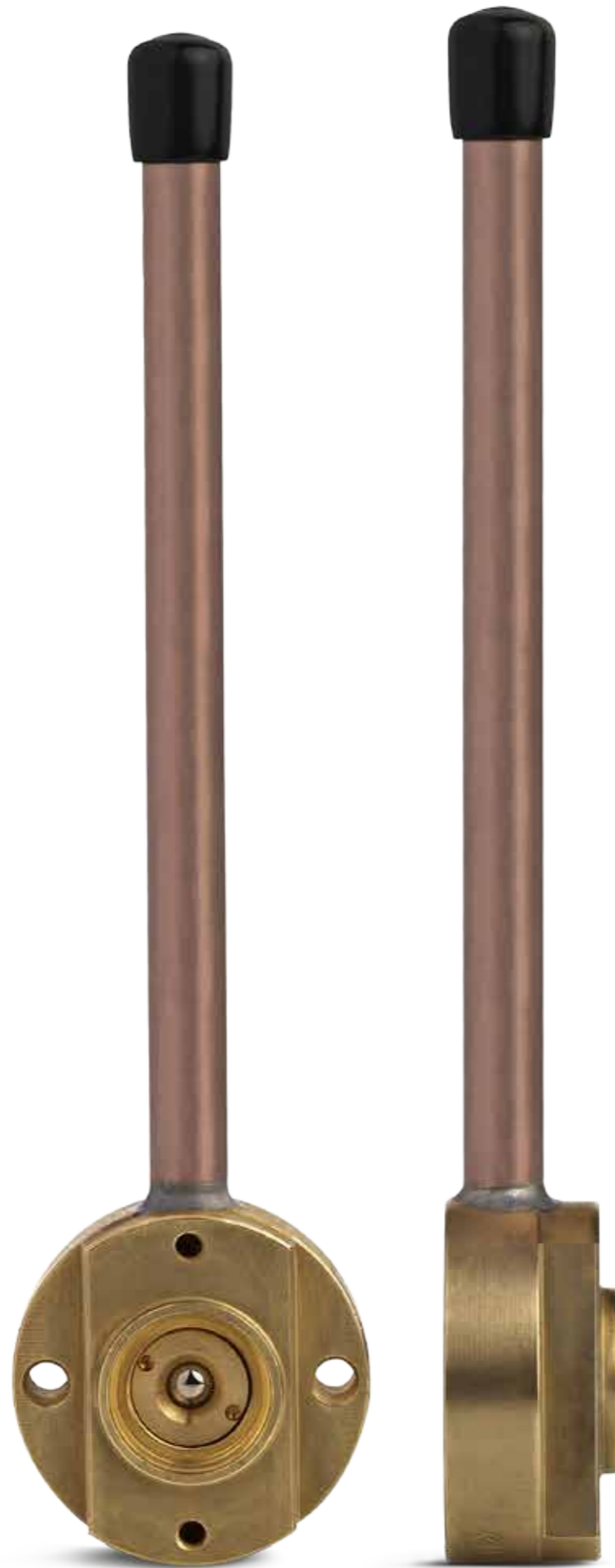
STANDARD VERSION

Materials:

Brass EN 12164
- CuZn39Pb3

EPDM

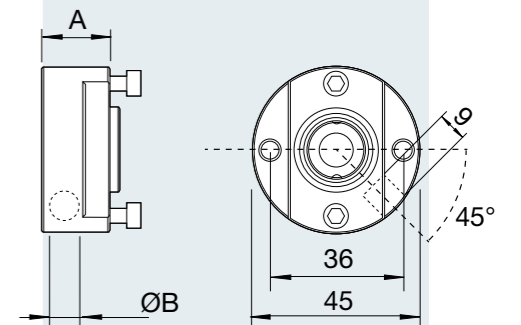
AISI



Brass base block c/w 45° hole

P/N	A	Ø B	GAS
ZARMOR-45-O	18,7	8	OXYGEN
ZARMOR-45-V	18,7	8	VACUUM
ZARMOR-45-A4	18,7	8	AIR
ZARMOR-45-P	18,7	8	NITROUS OXIDE
ZARMOR-45-A8	18,7	8	AIR-800
ZARMOR-45-C	18,7	8	CARBON DIOXIDE
ZARMOR-45-OP	18,7	8	OXYGEN/NITROUS OXIDE
ZARMOR10-45-O	18,7	10	OXYGEN
ZARMOR10-45-V	18,7	10	VACUUM
ZARMOR10-45-A4	18,7	10	AIR
ZARMOR10-45-P	18,7	10	NITROUS OXIDE
ZARMOR10-45-A8	18,7	10	AIR-800
ZARMOR10-45-C	18,7	10	CARBON DIOXIDE
ZARMOR10-45-OP	18,7	10	OXYGEN/NITROUS OXIDE

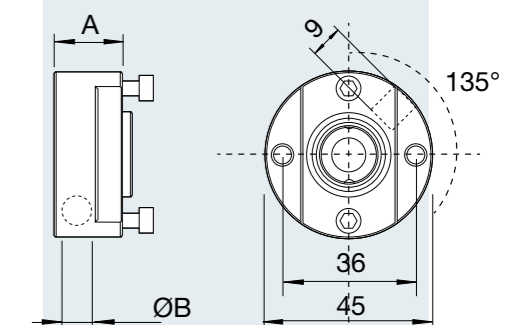
C/w plug for test.

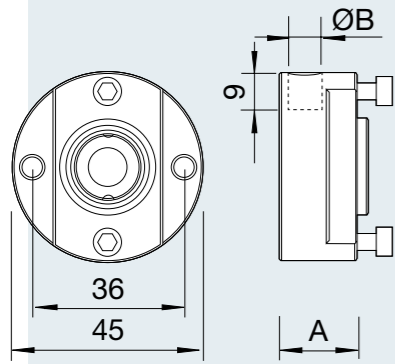


BRASS base block c/w 135° hole

P/N	A	Ø B	GAS
ZARMOR-135-O	18,7	8	OXYGEN
ZARMOR-135-V	18,7	8	VACUUM
ZARMOR-135-A4	18,7	8	AIR
ZARMOR-135-P	18,7	8	NITROUS OXIDE
ZARMOR-135-A8	18,7	8	AIR-800
ZARMOR-135-C	18,7	8	CARBON DIOXIDE
ZARMOR-135-N	18,7	8	NITROGEN

C/w plug for test.

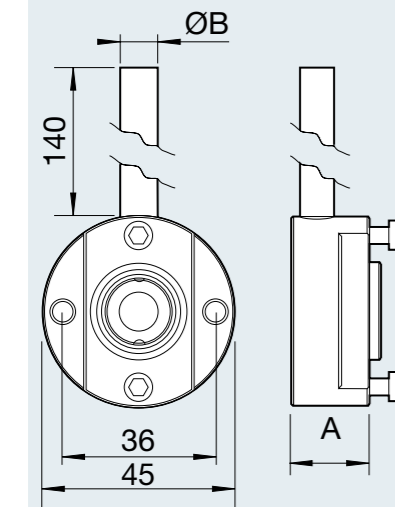




Vertical inlet brass base block

P/N	A	Ø B	GAS
ZARMOR-O	18,7	8	OXYGEN
ZARMOR-V	18,7	8	VACUUM
ZARMOR-A4	18,7	8	AIR
ZARMOR-P	18,7	8	NITROUS OXIDE
ZARMOR-A8	18,7	8	AIR-800
ZARMOR-C	18,7	8	CARBON DIOXIDE
ZARMOR-OP	18,7	8	OXYGEN/NITROUS OXIDE
ZARMOR10-O	18,7	10	OXYGEN
ZARMOR10-V	18,7	10	VACUUM
ZARMOR10-A4	18,7	10	AIR
ZARMOR10-P	18,7	10	NITROUS OXIDE
ZARMOR10-A8	18,7	10	AIR-800
ZARMOR10-C	18,7	10	CARBON DIOXIDE
ZARMOR10-OP	18,7	10	OXYGEN/NITROUS OXIDE

C/w plug for test.



Brass base block c/w vertical copper pipe

P/N	A	Ø B	GAS
ZARMOR-T-O	18,7	8	OXYGEN
ZARMOR-T-V	18,7	8	VACUUM
ZARMOR-T-A4	18,7	8	AIR
ZARMOR-T-P	18,7	8	NITROUS OXIDE
ZARMOR-T-A8	18,7	8	AIR-800
ZARMOR-T-C	18,7	8	CARBON DIOXIDE
ZARMOR-T-OP	18,7	8	OXYGEN/NITROUS OXIDE
ZARMOR10-T-O	18,7	10	OXYGEN
ZARMOR10-T-V	18,7	10	VACUUM
ZARMOR10-T-A4	18,7	10	AIR
ZARMOR10-T-P	18,7	10	NITROUS OXIDE
ZARMOR10-T-A8	18,7	10	AIR-800
ZARMOR10-T-C	18,7	10	CARBON DIOXIDE
ZARMOR10-T-N	18,7	10	NITROGEN
ZARMOR10-T-OP	18,7	10	OXYGEN/NITROUS OXIDE

C/w plug for test.

Brass base block c/w 45° copper pipe

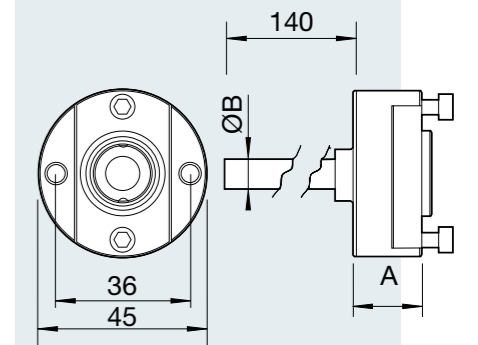
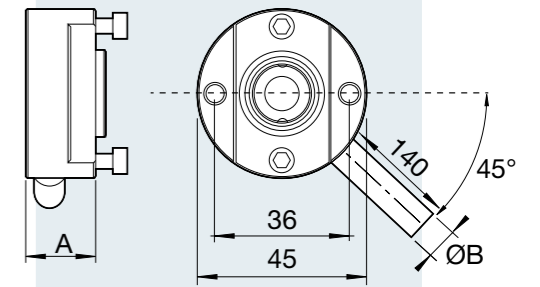
P/N	A	Ø B	GAS
ZARMOR-45T-O/1	18,7	8	OXYGEN
ZARMOR-45T-V/1	18,7	8	VACUUM
ZARMOR-45T-A4/1	18,7	8	AIR
ZARMOR-45T-P/1	18,7	8	NITROUS OXIDE
ZARMOR-45T-A8/1	18,7	8	AIR-800
ZARMOR-45T-C/1	18,7	8	CARBON DIOXIDE
ZARMOR-45T-OP/1	18,7	8	OXYGEN/NITROUS OXIDE
ZARMOR1045T-O/1	18,7	10	OXYGEN
ZARMOR1045T-V/1	18,7	10	VACUUM
ZARMOR1045TA4/1	18,7	10	AIR
ZARMOR1045T-P/1	18,7	10	NITROUS OXIDE
ZARMOR1045TA8/1	18,7	10	AIR-800
ZARMOR1045T-C/1	18,7	10	CARBON DIOXIDE
ZARMOR1045TOP/1	18,7	10	OXYGEN/NITROUS OXIDE

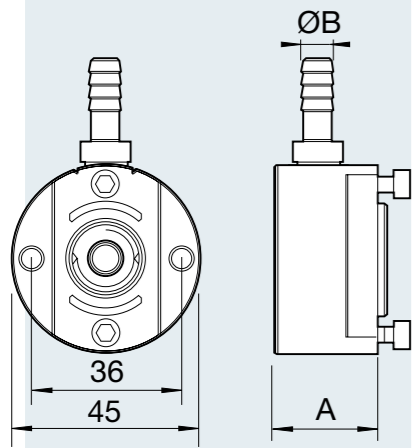
C/w plug for test.

Brass base block c/w back copper pipe

P/N	A	Ø B	GAS
ZARMORD-T-O	23,7	8	OXYGEN
ZARMORD-T-V	23,7	8	VACUUM
ZARMORD-T-A4	23,7	8	AIR
ZARMORD-T-P	23,7	8	NITROUS OXIDE
ZARMORD-T-A8	23,7	8	AIR-800
ZARMORD-T-C	23,7	8	CARBON DIOXIDE
ZARMORD-T-N	23,7	8	NITROGEN

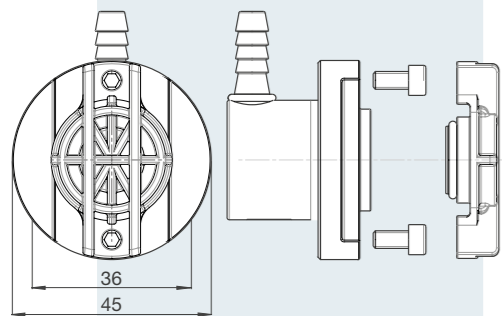
C/w plug for test.





base block for flexible hose			
P/N	A	Ø B	GAS
ZARMOR-PG6-O/1	21,3	6	OXYGEN
ZARMOR-PG8-V/1	21,3	8	VACUUM
ZARMOR-PG6-A4/1	21,3	6	AIR
ZARMOR-PG6-P/1	21,3	6	NITROUS OXIDE
ZARMOR-PG6-A8/1	21,3	6	AIR-800
ZARMOR-PG6-C/1	21,3	6	CARBON DIOXIDE
ZARMOR-PG6-N/1	21,3	6	NITROGEN

C/w plug for test.

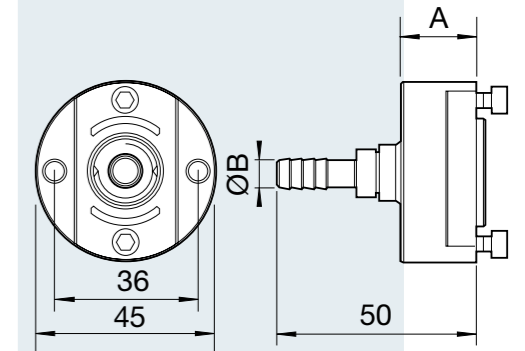


Swivel base block for flexible hose			
P/N	A	Ø B	GAS
ZARMORG-PG6-O	30	6	OXYGEN
ZARMORG-PG8-V	30	8	VACUUM
ZARMORG-PG6-A4	30	6	AIR
ZARMORG-PG6-P	30	6	NITROUS OXIDE
ZARMORG-PG6-A8	30	6	AIR-800
ZARMORG-PG6-C	30	6	CARBON DIOXIDE
ZARMORG-PG6-N	30	6	NITROGEN

C/w plug for test.

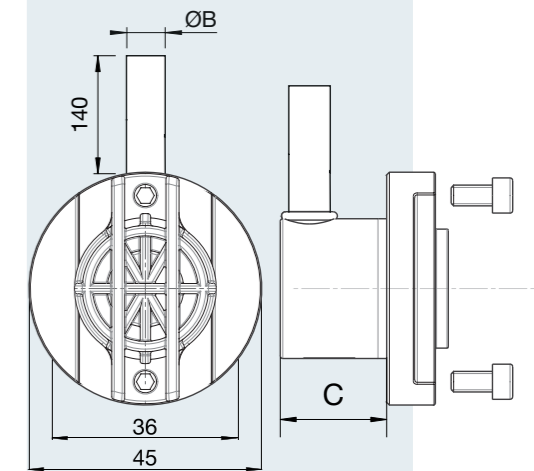
Brass base block for flexible hose			
P/N	A	Ø B	GAS
ZARMORD-O-PG6	18,7	6	OXYGEN
ZARMORD-V-PG8	18,7	8	VACUUM
ZARMORD-A4-PG6	18,7	6	AIR
ZARMORD-P-PG6	18,7	6	NITROUS OXIDE
ZARMORD-A8-PG6	18,7	6	AIR-800
ZARMORD-C-PG6	18,7	6	CARBON DIOXIDE
ZARMORD-N-PG6	18,7	6	NITROGEN

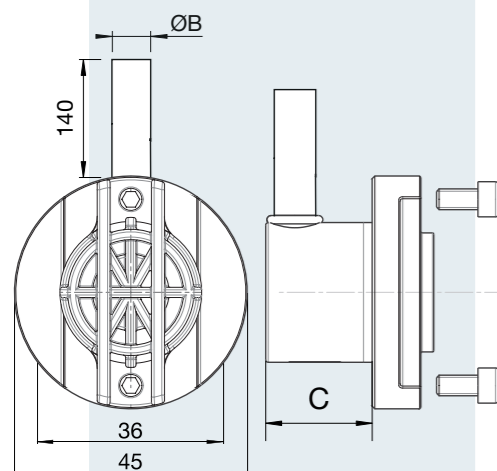
C/w plug for test.



Swivel base block c/w vertical copper pipe				
P/N	A	Ø B	C	GAS
ZARMORG-T-O	30	8	20,6	OXYGEN
ZARMORG-T-V	30	8	20,6	VACUUM
ZARMORG-T-A4	30	8	20,6	AIR
ZARMORG-T-P	30	8	20,6	NITROUS OXIDE
ZARMORG-T-A8	30	8	20,6	AIR-800
ZARMORG-T-C	30	8	20,6	CARBON DIOXIDE
ZARMORG-T-N	30	8	20,6	NITROGEN

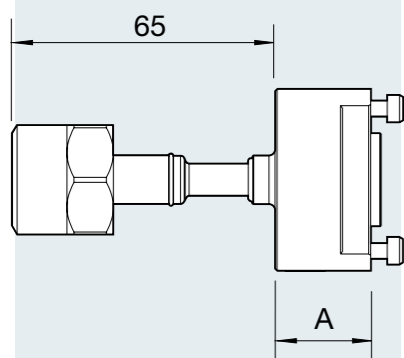
C/w plug for test.





Swivel base block c/w vertical copper pipe				
P/N	A	Ø B	C	GAS
ZARMORG10-T-O	30	10	21,3	OXYGEN
ZARMORG10-T-V	30	10	21,3	VACUUM
ZARMORG10-T-A4	30	10	21,3	AIR
ZARMORG10V-T-P	30	10	21,3	NITROUS OXIDE
ZARMORG10-T-A8	30	10	21,3	AIR-800
ZARMORG10-T-C	30	10	21,3	CARBON DIOXIDE
ZARMORG10-T-N	30	10	21,3	NITROGEN

C/w plug for test.

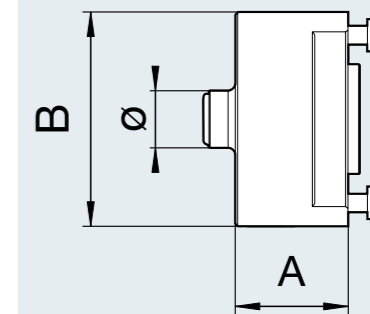


Brass base block c/w NIST connector		
P/N	A	GAS
ZARMORD-O-MNIST	23,7	OXYGEN
ZARMORD-V-MNIST	23,7	VACUUM
ZARMORD-A4-MNIST	23,7	AIR
ZARMORD-P-MNIST	23,7	NITROUS OXIDE
ZARMORD-A8-MNIST	23,7	AIR-800
ZARMORD-C-MNIST	23,7	CARBON DIOXIDE
ZARMORD-N-MNIST	23,7	NITROGEN

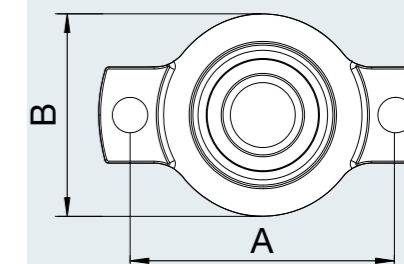
C/w plug for test.

Brass base block c/w near inlet				
P/N	A	B	Ø	GAS
ZARMORD-O-1	23,7	45	10	OXYGEN
ZARMORD-V-1	23,7	45	13	VACUUM
ZARMORD-A4-1	23,7	45	10	AIR
ZARMORD-P-1	23,7	45	10	NITROUS OXIDE
ZARMORD-A8-1	23,7	45	10	AIR-800
ZARMORD-C-1	23,7	45	10	CARBON DIOXIDE
ZARMORD-N-1	23,7	45	10	NITROGEN

C/w plug for test.



Plug for base block or range		
P/N	A	B
AGT-OR/TP/001	36	27,5



SPARE PART

Spare part kit for base block	
P/N	GAS
ZARMOR/VNR	ALL

