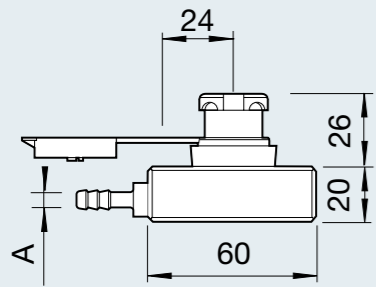




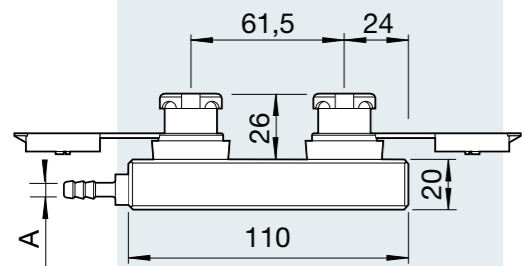
# ADAPTERS FOR AMBULANCES

Materials:  
Brass EN 12164 - CuZn39Pb3  
EPDM-PEROX  
AISI  
ABS/POM  
Aluminium



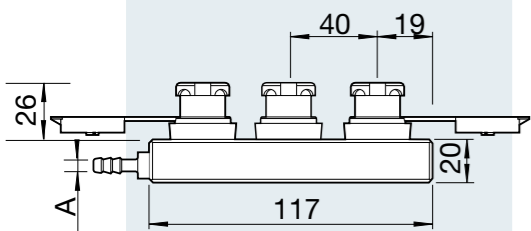
Adapter with one AFNOR NF S 90-116 socket and barb end inlet

P/N	A	GAS
AGTF-1V-PG6-V	6	VACUUM



Adapter with two AFNOR NF S 90-116 sockets and barb end inlet

P/N	A	GAS
AGTF-2V-PG6-O	6	OXYGEN
AGTF-2V-PG6-V	6	VACUUM

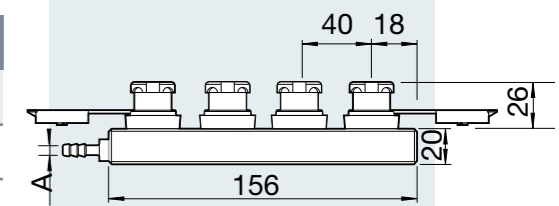


Adapter with three AFNOR NF S 90-116 sockets and barb end inlet

P/N	A	GAS
AGTF-3V-PG6-O	6	OXYGEN

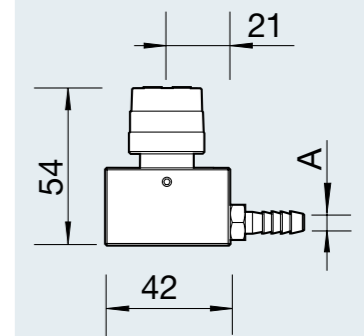
Adapter with four AFNOR NF S 90-116 sockets and barb end inlet

P/N	A	GAS
AGTF-4V-PG6-O	6	OXYGEN



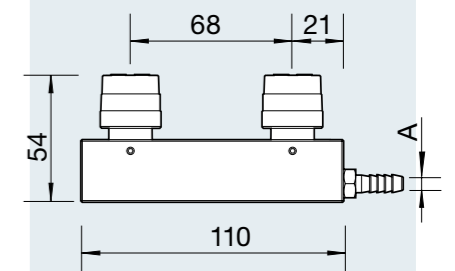
Adapter with one SS 875 24 30 socket and barb end inlet

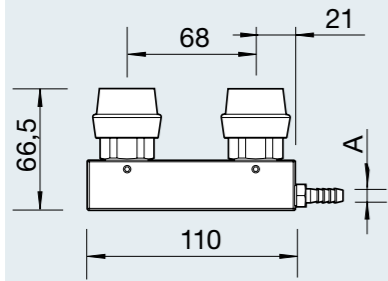
P/N	A	GAS
AGTA-1V-O	6	OXYGEN



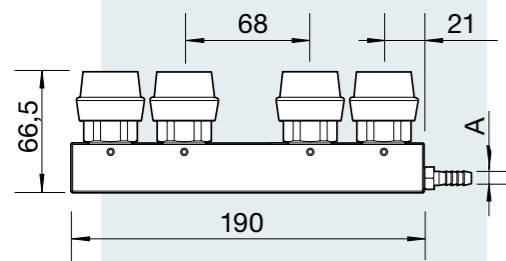
Adapter with two SS 875 24 30 sockets and barb end inlet

P/N	A	GAS
AGTA-2V-O	6	OXYGEN

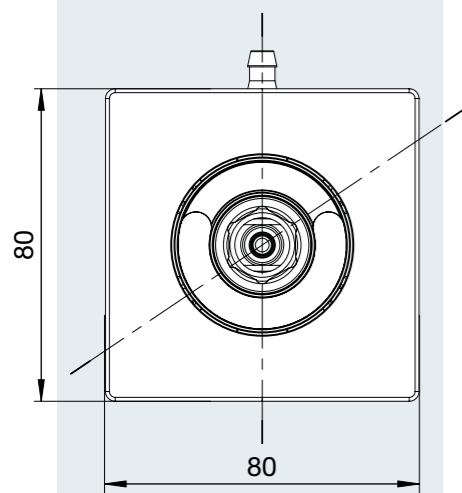




Adapter with two DIN 13260-2 sockets and barb end inlet			
P/N	A	GAS	
AGTD-2V-O	6	OXYGEN	
AGTD-2V-A4	6	AIR	

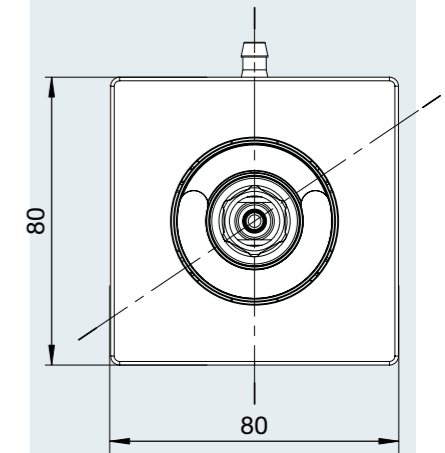


Adapter with four DIN 13260-2 sockets and barb end inlet			
P/N	A	GAS	
AGTD-4V-O	6	OXYGEN	
AGTD-4V-A4	6	AIR	

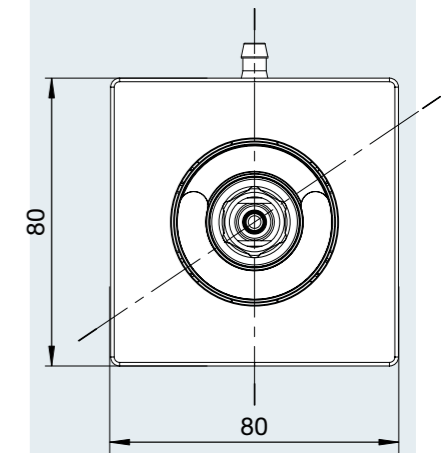


Adapter with one DIN 13260-2 socket and plastic box c/w barb end inlet	
P/N	GAS
ZBOX-GV-O	OXYGEN
ZBOX-GV-A4	AIR

Adapter with one BS socket and plastic box c/w barb end inlet	
P/N	GAS
ZBOX-GVBS-O	OXYGEN
ZBOX-GVBS-A4	AIR



Adapter with one SS socket and plastic box c/w barb end inlet	
P/N	GAS
ZBOX-GVA-O	OXYGEN
ZBOX-GVA-A4	AIR



Adapter c/w UNI 9507 socket F1/8" thread inlet			
P/N	A	L	GAS
AGT-F1/8-O	1/8"	70	OXYGEN
AGT-F1/8-V	1/8"	70	VACUUM
AGT-F1/8-A4	1/8"	70	AIR
AGT-F1/8-P	1/8"	70	NITROUS OXIDE

